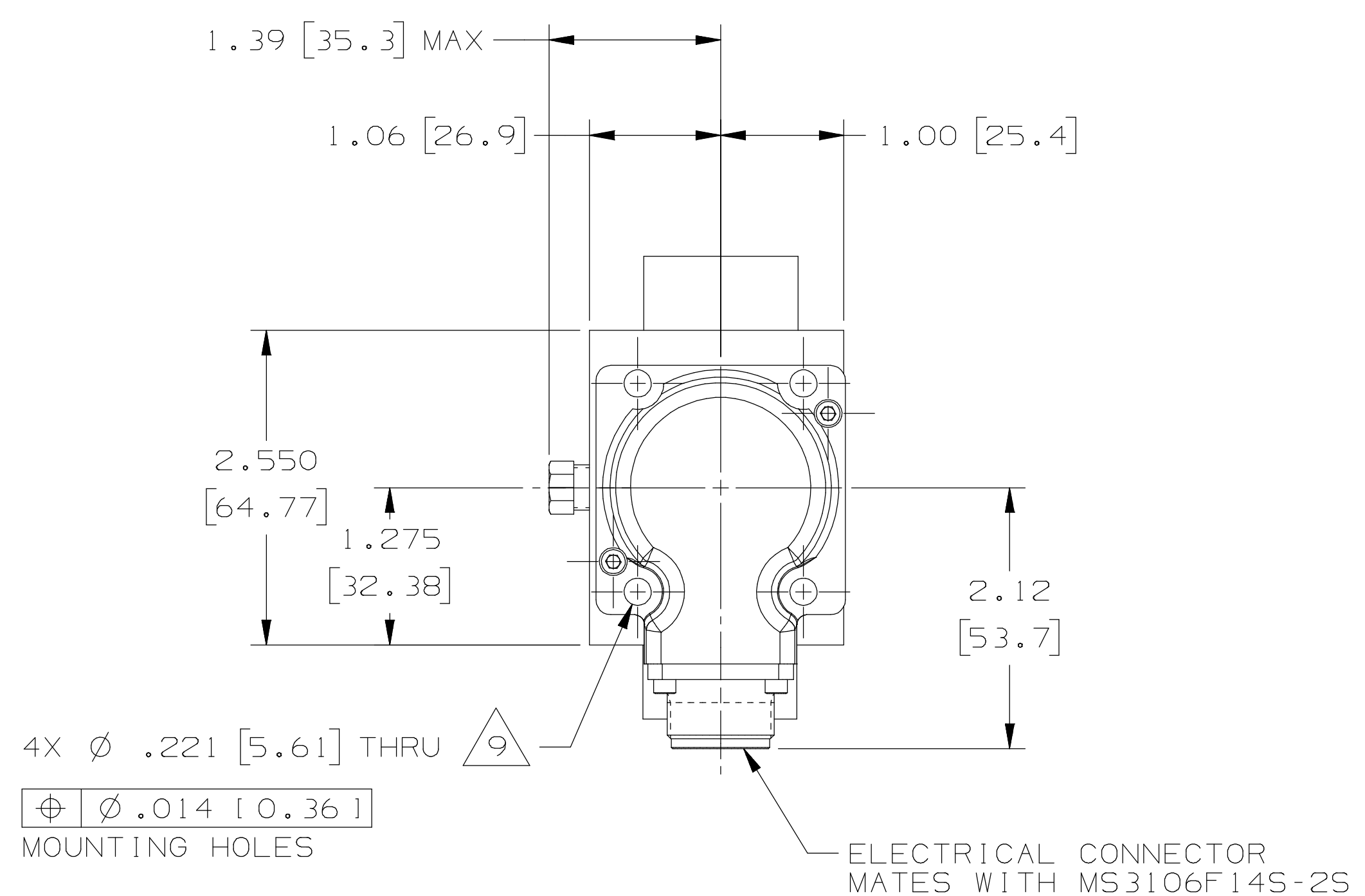
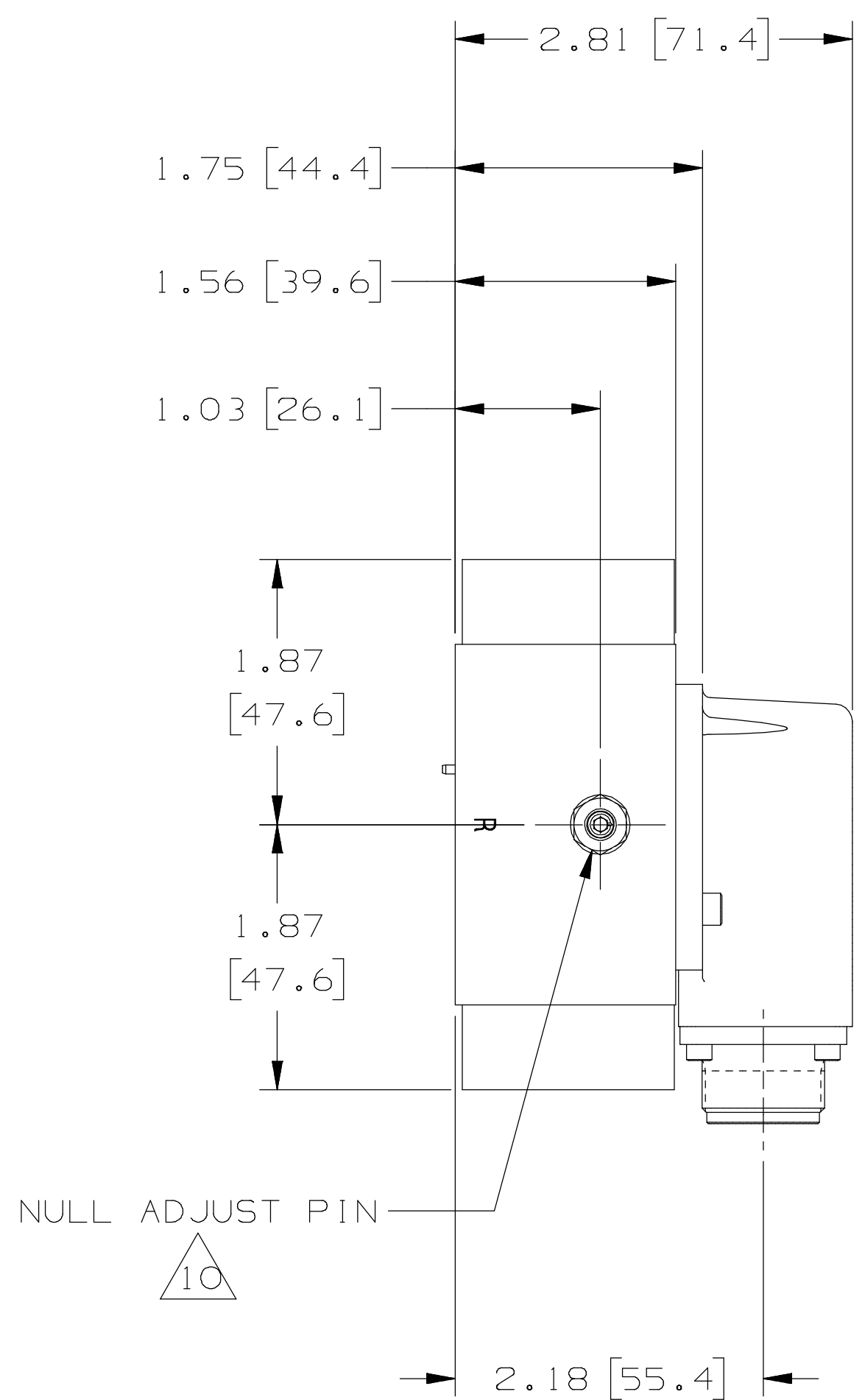
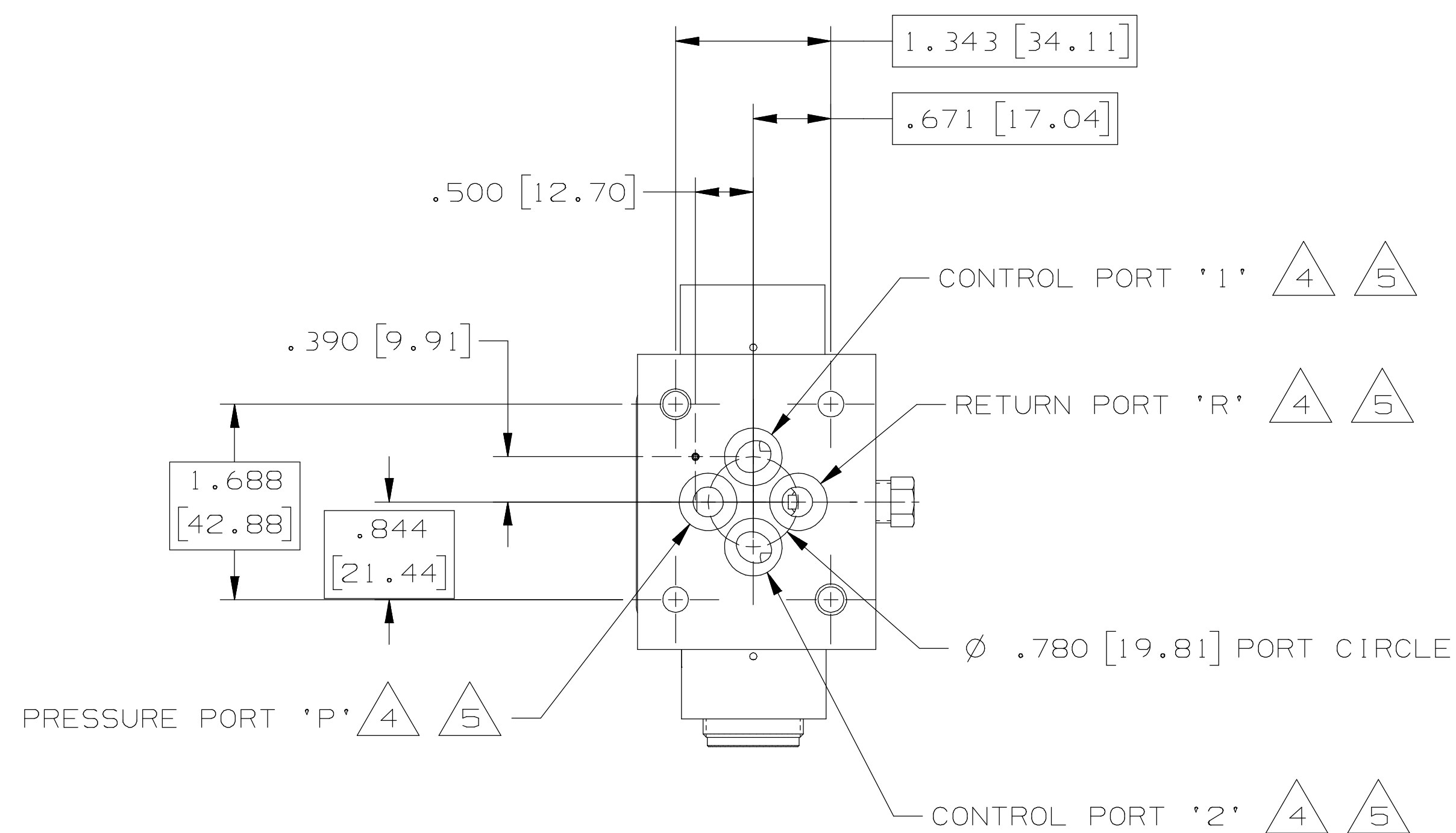
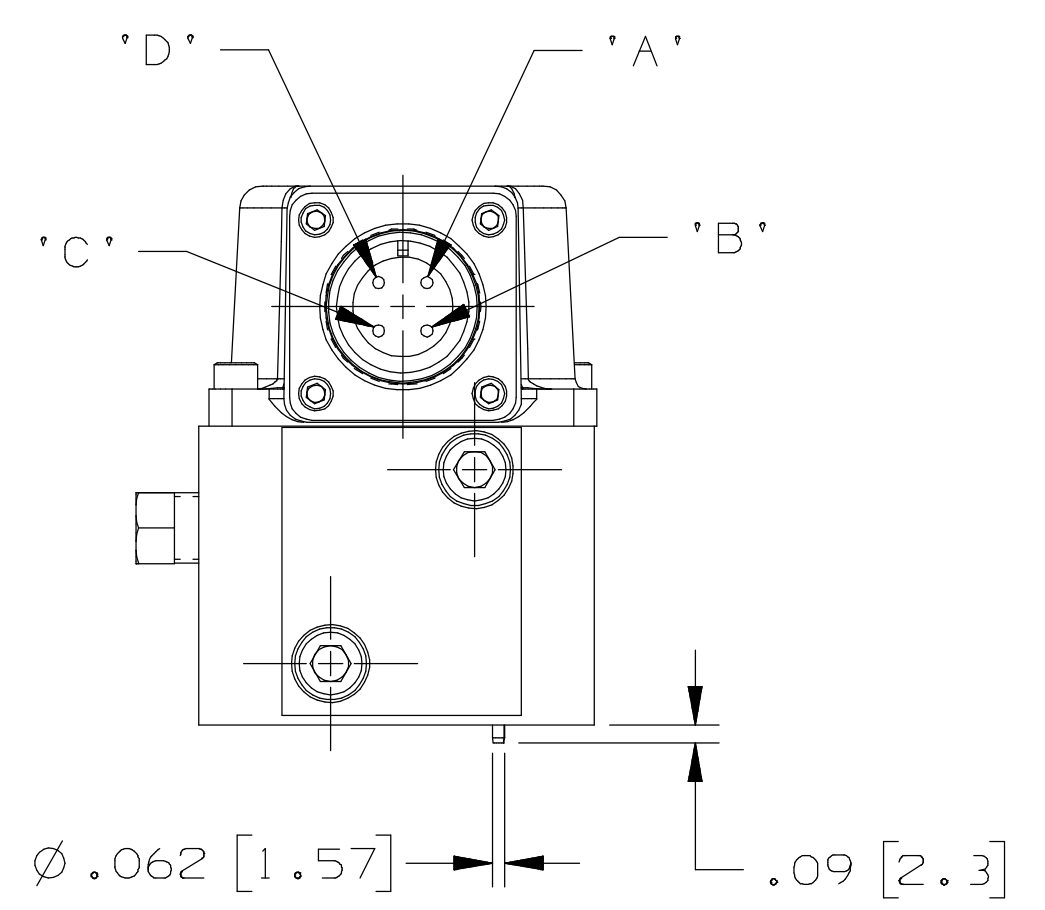
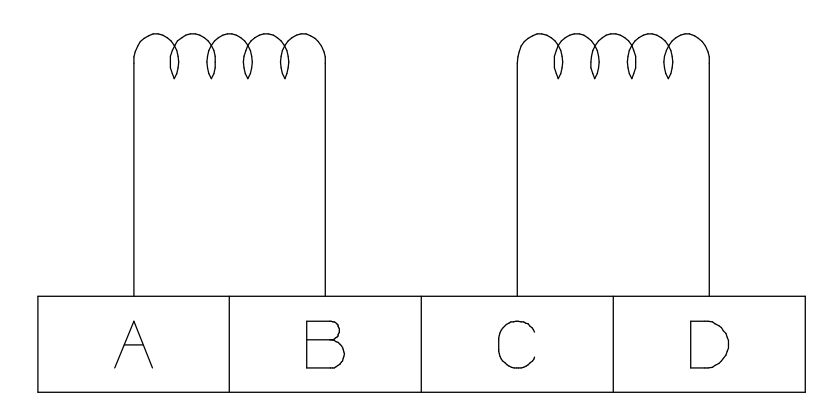


THIS TECHNICAL DATA/DRAWING/DOCUMENT CONTAINS MOOG PROPRIETARY AND CONFIDENTIAL INFORMATION. MOOG PROPRIETARY AND CONFIDENTIAL INFORMATION THAT IS THE EXPRESS PROPERTY OF MOOG INC., OR MOOG INC. SUBSIDIARIES EXCEPT AS EXPRESSLY GRANTED BY CONTRACT OR BY OPERATION OF LAW AND IS RESTRICTED TO USE BY ONLY MOOG EMPLOYEES AND OTHER PERSONS AUTHORIZED IN WRITING BY MOOG OR AS EXPRESSLY GRANTED BY CONTRACT OR BY OPERATION OF LAW. NO PORTION OF THIS DATA/DRAWING/DOCUMENT SHALL BE REPRODUCED OR DISCLOSED OR COPIED OR FURNISHED IN WHOLE OR IN PART TO OTHERS OR USED BY OTHERS FOR ANY PURPOSE WHATSOEVER EXCEPT AS SPECIFICALLY AUTHORIZED IN WRITING BY MOOG INC. OR MOOG INC. SUBSIDIARY.

DWG. NO.	A72138	SH	1
REVISIONS			
ZONE	REV	DESCRIPTION	DATE
	A	SEE EO UE1034212	20101001
			KJY/DRK



- NOTES:
- FLUID: INDUSTRIAL TYPE PETROLEUM BASE HYDRAULIC FLUID. 10 MICRON (25 ABSOLUTE) FILTRATION REQUIRED.
 - AMBIENT TEMPERATURE RANGE: -40°F TO +275°F (-40°C TO +135°C).
 - VALVE PHASING: FLOW OUT PORT '2' WILL RESULT WHEN:
 SERIES OPERATION: B & C TIED, A MINUS, D PLUS
 PARALLEL OPERATION: TIE A TO C, B TO D. B & D PLUS, A & C MINUS.
 - P, R, 1 & 2 PORTS: .260 [6.60] DIA CBORED NOMINALLY .498 [12.65] DIA X .055 [1.40] DEEP.
 - PORT O-RINGS .070 [1.78] SECT. X .364 [9.24] ID HAVING COMPATIBLE O-RING COMPOUND (UNIVERSAL DASH NO. 012).
 - SURFACE TO WHICH VALVE IS MOUNTED REQUIRES $\sqrt{10.8132}$ FINISH. FLAT WITHIN .001 [0.03] TIR.
 - REMOVED.
 - DIMENSIONS WITHOUT TOLERANCE ARE FOR REFERENCE ONLY. DIMENSIONS IN BRACKETS () ARE IN MILLIMETERS.
 - SUGGESTED MOUNTING SCREWS: .190-32 [M5 X 50] X 2.00 LONG SOCKET HEAD CAP SCREWS - 4 REQUIRED. TORQUE TO 56 IN LB.
 - NULL ADJUST: FLOW OUT CONTROL PORT '2' WILL INCREASE WITH CLOCKWISE ROTATION OF NULL ADJUST SCREW (3/32 HEX KEY).



INTERNATIONAL PART

LAST SECTION/DATUM		NEXT ASSEMBLY		USED ON		UNLESS OTHERWISE SPECIFIED .XX ± .01 .XXX ± .005 ANGULAR ± 0° 30' FILLETS .015 RAD EDGES .010 RAD OR CHAM SURFACE ROUGHNESS PER ANSI Y14.36 & B46.1 125√ CONCENTRIC DIAMETERS: $\sqrt{1.008}$ DRILL POINTS: 115° - 140° ALL DIMENSIONS ARE IN INCHES PART TO BE FREE OF BURRS		INTERPRET DRAWING PER MIL-STD-100 DIMENSIONING AND TOLERANCING PER ASME Y14.5M-1994		CONTRACT NO.		MOOG INC.	
						MATERIAL		PREPARED BT BECKER 6-21-83		MOOG INC., EAST AURORA, NY 14052			
								CHECKED JEW/MDW 6-24-83		TITLE			
								MGR ENGR		INSTALLATION, 772 SERIES			
								DES ENGR		SIZE			
								PRD ENGR		CAGE CODE			
								ENGR CEA 6-27-83		DWG NO.			
								MFG		D 94697			
								QUAL GRB 6-28-83		A72138			
								SCALE 1/1		SHEET			