

# Slip Ring Capsules (Compact)

## P Series

### *Compact slip rings*

#### Description

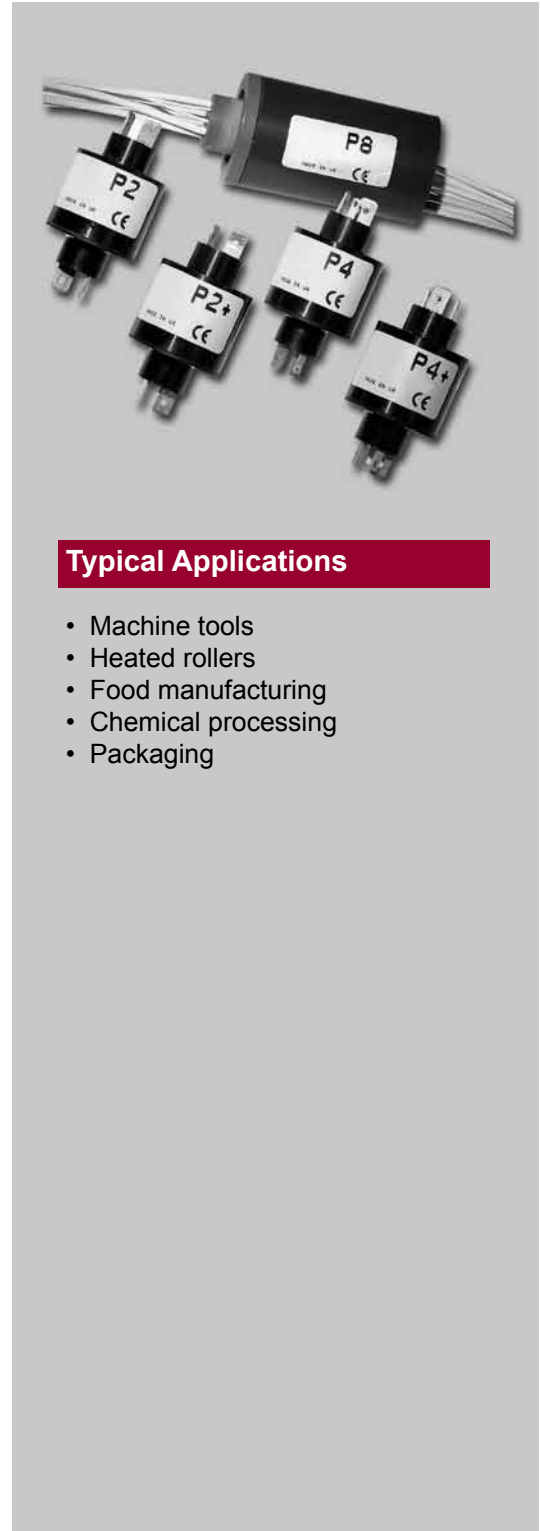
The P series slip rings are compact, cost effective mercury free slip rings designed for industrial manufacturing. The P2 has two rings, each able to carry 7 amps. The P4 has two rings rated at 7 amps and two at 2 amps. All are fully ball raced and suitable for mounting in any orientation. The P2+ and P4+ are capable of conducting 14 amps through the power circuits and in the case of the P4+, 2 amps through the 2 signal circuits. These units are ideal for applications where currents are increased due to lower distribution voltage. They are well suited for use in the food and packaging industries. The P8 Lite is capable of carrying 14 amps on each of the 8 rings. All P Series units feature gold slip rings and gold alloy brushes. Standard spade terminals or flying leads allow rapid installation.

#### Features

- Mercury free
- Reliable rotational connections for power, signal and data transmission
- Speeds from 400 to 600 rpm
- Fast on spade terminals or flying leads
- CE marked

#### Benefits

- Compact and robust design
- Designed for low cost
- Gold slip rings and gold alloy brushes for high reliability
- Mount in any orientation



#### Typical Applications

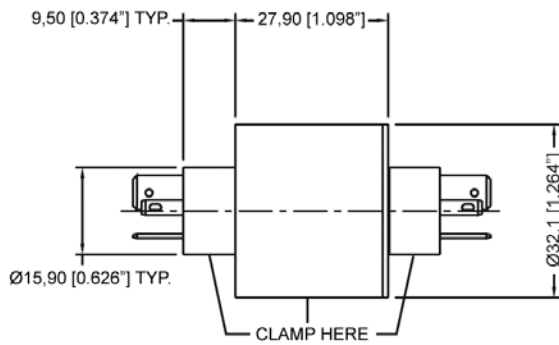
- Machine tools
- Heated rollers
- Food manufacturing
- Chemical processing
- Packaging

# Slip Ring Capsules (Compact)

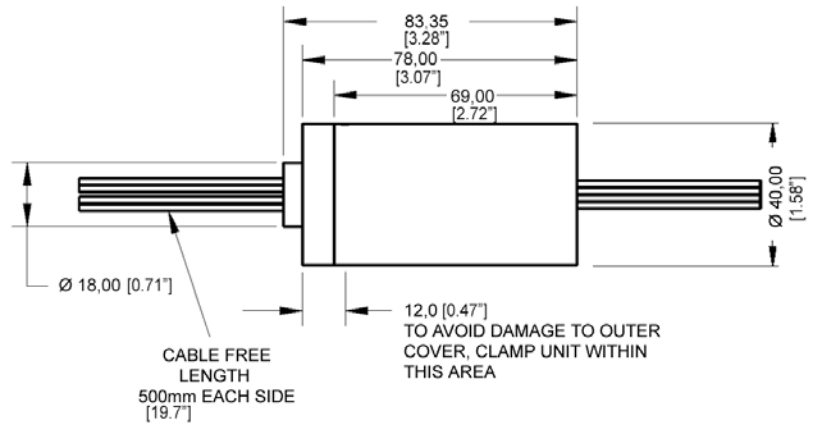
P Series Specifications					
	P2	P4	P2+	P4+	P8 Lite
Part Number	80050-957 / 1028300-2	80050-958 / 1028300-4	80050-956	80050-955	80059-950
Maximum Speed	400 rpm	400 rpm	400 rpm	400 rpm	600 rpm
Power Circuits	2 @ 7 amps	2 @ 7 amps	2 @ 14 amps	2 @ 14 amps	8 @ 14 amps
Signal Circuits	-	2 @ 2 amps	-	2 @ 2 amps	-
Terminals Power	0.8 x 6.35	0.8 x 6.35 0.8 x 2.80	0.8 x 6.35	0.8 x 6.35 0.8 x 2.80	ETFE Flying Leads Power 16 AWG [PARA]
Mounting	As Shown On Drawing				
Maximum Voltage	240	240	240	240	240
Temperature Range	-20°C to +90°C	-20°C to +90°C	-20°C to +90°C	-20°C to +90°C	-20°C to +80°C
Sealing	-	-	-	-	IP22

\*Please note that the operational life of the unit is dependent upon rotational speed, environment and temperature.

## P Series Dimensions



**P2, P2+, P4, P4+ Series**



**P8 Lite Series**

Dimensions in millimeters [inches]