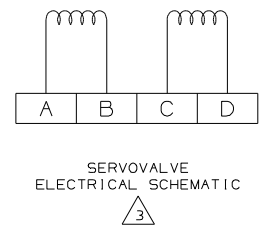
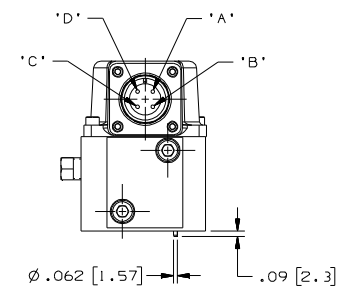
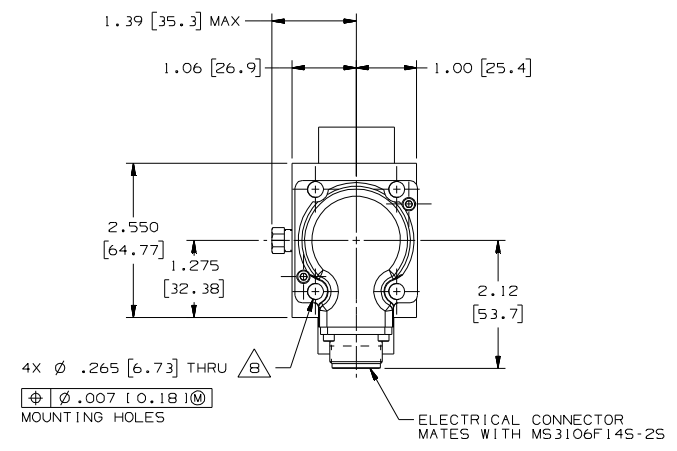
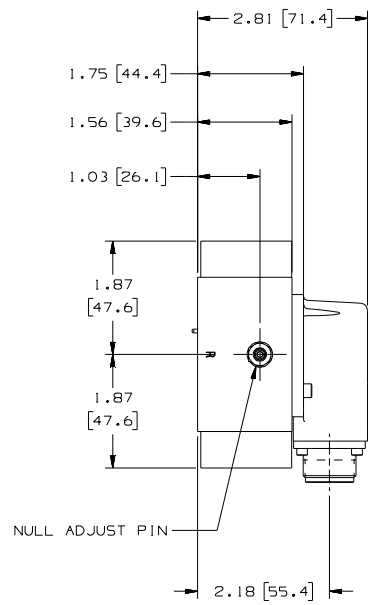
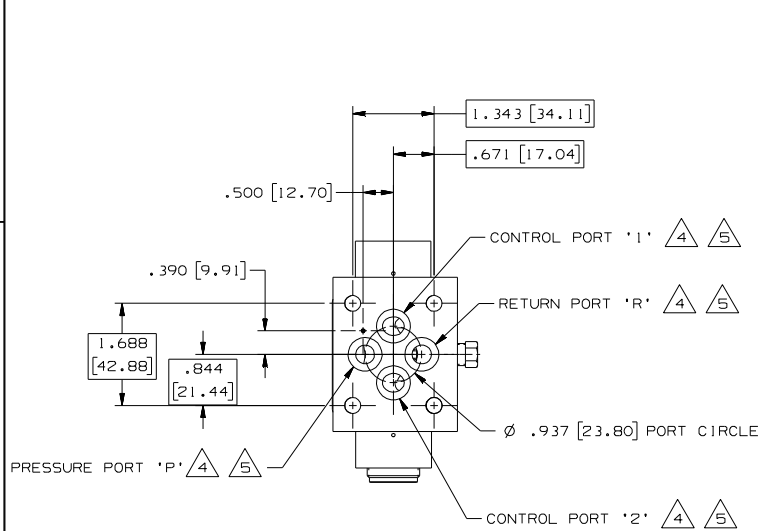


THIS TECHNICAL DATA/DRAWING DOCUMENT CONTAINS INFORMATION THAT IS PROPRIETARY AND CONFIDENTIAL INFORMATION OF MOOG INC. OR MOOG INC. SUBSIDIARIES EXCEPT AS EXPRESSLY GRANTED BY CONTRACT OR BY OPERATION OF LAW AND IS RESTRICTED TO USE BY ONLY MOOG EMPLOYEES AND OTHER PERSONS AUTHORIZED IN WRITING BY MOOG OR AS EXPRESSLY GRANTED BY CONTRACT OR BY OPERATION OF LAW. NO PORTION OF THIS DRAWING/DOCUMENT SHALL BE REPRODUCED OR DISCLOSED OR COPIED OR FURNISHED IN WHOLE OR IN PART TO OTHERS OR USED BY OTHERS FOR ANY PURPOSE WHATSOEVER EXCEPT AS SPECIFICALLY AUTHORIZED IN WRITING BY MOOG INC. OR MOOG INC. SUBSIDIARY.

DES. NO. A72821		REV. 01	
REVISIONS			
ZONE	REV.	DESCRIPTION	DATE APPROVED
C	SEE	EO UE1033910	20100831 KJY/DRK



- NOTES:
- FLUID: INDUSTRIAL TYPE PETROLEUM BASE HYDRAULIC FLUID. 10 MICRON (25 ABSOLUTE) FILTRATION REQUIRED.
 - AMBIENT TEMPERATURE RANGE: -40°F TO +275°F (-40°C TO +135°C).
 - VALVE PHASING: FLOW OUT PORT '2' WILL RESULT WHEN:
SERIES OPERATION: C & B TIED, A+, D-
PARALLEL OPERATION: TIE A TO C, B & D MINUS
 - P, R, 1 & 2 PORTS: .312 [7.92] DIA BORED NOMINALLY
.562 [14.27] DIA X .055 [1.40] DEEP.
 - 4 PORT O-RINGS .070 [1.78] SECT. X .426 [10.82] ID
HAVING COMPATIBLE O-RING COMPOUND (UNIVERSAL DASH NO. 013).

[0.8] 32/
FINISH.

- SURFACE TO WHICH VALVE IS MOUNTED REQUIRES FINISH. FLAT WITHIN .001 [0.03] TIR.
- DIMENSIONS WITHOUT TOLERANCE ARE FOR REFERENCE ONLY. DIMENSIONS IN BRACKETS () ARE IN MILLIMETERS.
- SUGGESTED MOUNTING SCREWS: .250-20 UNC OR .250-28 UNF X 2.25 LONG SOCKET HEAD CAP SCREWS - 4 REQUIRED. TORQUE TO 17-25 IN LB.

INTERNATIONAL PART

LAST SECTION/DATUM					
THIRD ANGLE PROJECTION					
	NEXT ASSEMBLY	USED ON			

UNLESS OTHERWISE SPECIFIED
 SURFACE FINISH: .01 .XXX ± .003
 ANGULARITY: 0° 30'
 FILLETS: .015 RAD
 EDGES: .010 RAD OR CHAM
 SURFACE ROUGHNESS: 125
 PER ANSI Y14.36 & 3.42
 CONCENTRIC DIMETERS: 125
 DIAL POINTS: 115'
 ALL DIMENSIONS ARE IN INCHES
 PART TO BE FREE OF BURRS

G773 SERIES		INSTALLATION, G773 SERIES	
QTY REQD	PART OR IDENTIFYING NO.	NOMENCLATURE OR DESCRIPTION	BALLOON NO.
PARTS LIST			
CONTRACT NO.		MOOG INC., EAST AURORA, NY 14092	
PREPARED	L. REBOY	5/3/62	TITLE
CHECKED	JEW	5/3/64	INSTALLATION, G773 SERIES
MR ENGR	RPW	5/3/64	
DES ENGR			
PRD ENGR			
APL ENGR			
WFO			
QUAL	GRB	P-13/64	SCALE 1/1
			BT