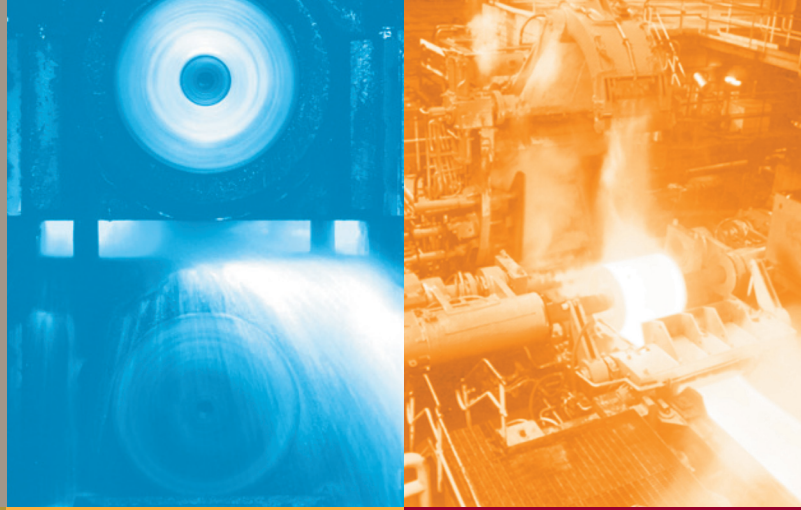


G122-829A

P-I SERVO AMPLIFIER



The G122-829A P-I Servoamplifier is used in closed loop applications where a proportional and/or integral amplifier is needed. Selector switches inside the amplifier enable proportional, integral or both to be selected. Many aspects of the amplifier's characteristics can be selected with internal switches. This enables one amplifier to be used in many different applications. The configuration options provided are the result of many years of experience in designing and commissioning closed loop systems.

The Servoamplifier employs analog electronics. It accepts three input signals, one single ended and two differential.

These are summed to produce an error signal which is then amplified proportionally and also integrated. The proportional and integral signals are switched together and output as a current or voltage to drive a servovalve.

Front panel trim pots, LED indicators and test points allow fast and easy setup and aid in trouble shooting. The servoamplifier is housed in a compact DIN rail mounting enclosure and requires a +24V DC supply.

SWITCH SELECTIONS

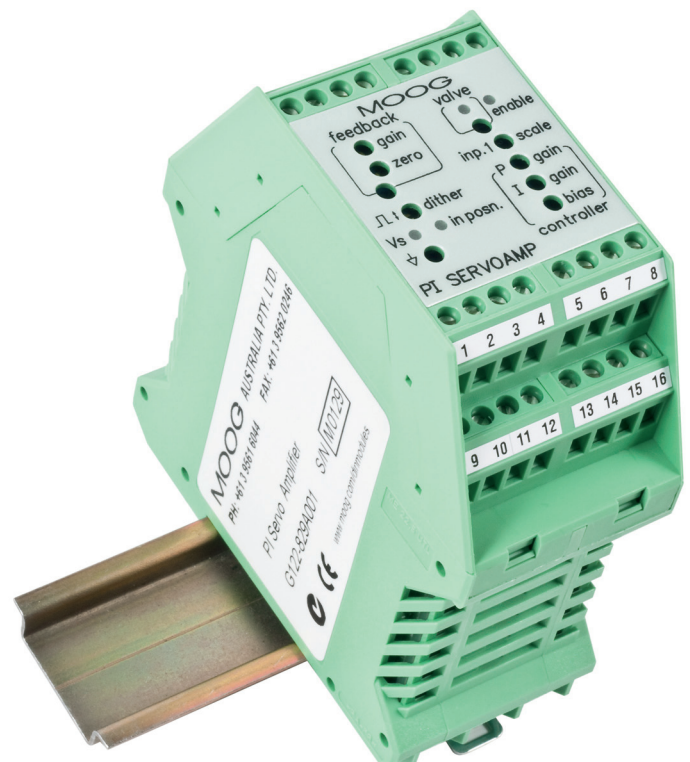
- Input 1, lag on or off
- Feedback input 4-20 mA or ± 10 V
- Input 2, 4-20 mA or ± 10 V
- Proportional control, integral control or both
- Integrator input from unity gain or amplified error signal
- Integrator limit
- Output \pm current, \pm voltage or 4-20 mA
- Output current level
- Dither on or off

PLUG-IN RESISTORS

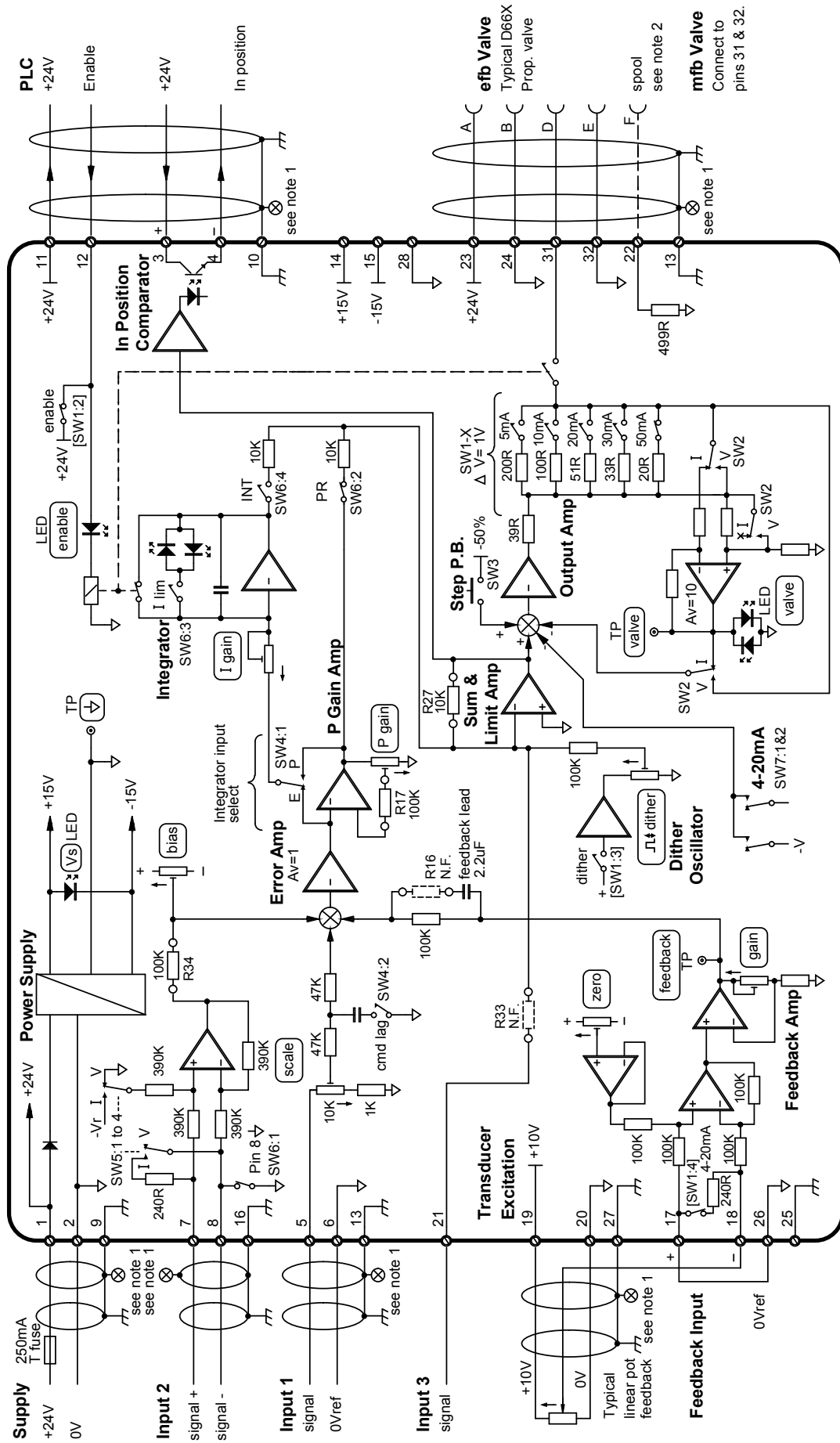
- Input 2 = 100k for ± 10 V
- Feedback derivative term = not loaded
- Proportional gain range = 100k for 1 to 20 range
- Input 3 direct to output amp = not loaded
- Sum & limit amp = 10k for unity gain

ADVANTAGES

- P, I or P & I control
- User friendly front panel with LEDs and test points
- Input options, two differential and one single ended
- Selectable valve drive signals
- Step push button for tuning
- Optional feedback derivative term
- "In position" output
- Dither
- Enable input
- Compact DIN rail housing
- CE marked



BLOCK WIRING DIAGRAM



⊗ Note: 1. Connect cable screen to enclosure cable gland or chassis ground terminal on G122-829

Note: 2. Connect spool (pin F) to terminal 22, only if the spool signal is a current.

Note: 3. Switches shown in default shipping mode.

Note: 4. [] indicates bottom board.

Moog has offices around the world.
For more information or the office
nearest you, contact us online.

e-mail: info@moog.com

www.moog.com/industrial

Moog is a registered trademark of Moog Inc. and its subsidiaries. All trademarks as indicated herein are the property of Moog Inc. and its subsidiaries.
©2014 Moog Inc. All rights reserved. All changes are reserved.

DIN P-I Servo Amplifier
Moog Aust/PDF/0914

ORDERING INFORMATION

P-I Servo Amplifier G122-829A001

Delivery includes P-I Servo Amp, DIN fuse holder,
2 x M205 250 mA T fuses and a 6 page application note.

This technical data is based on current available information and is subject to change at any time by Moog. Specifications for specific systems or applications may vary.

MOOG