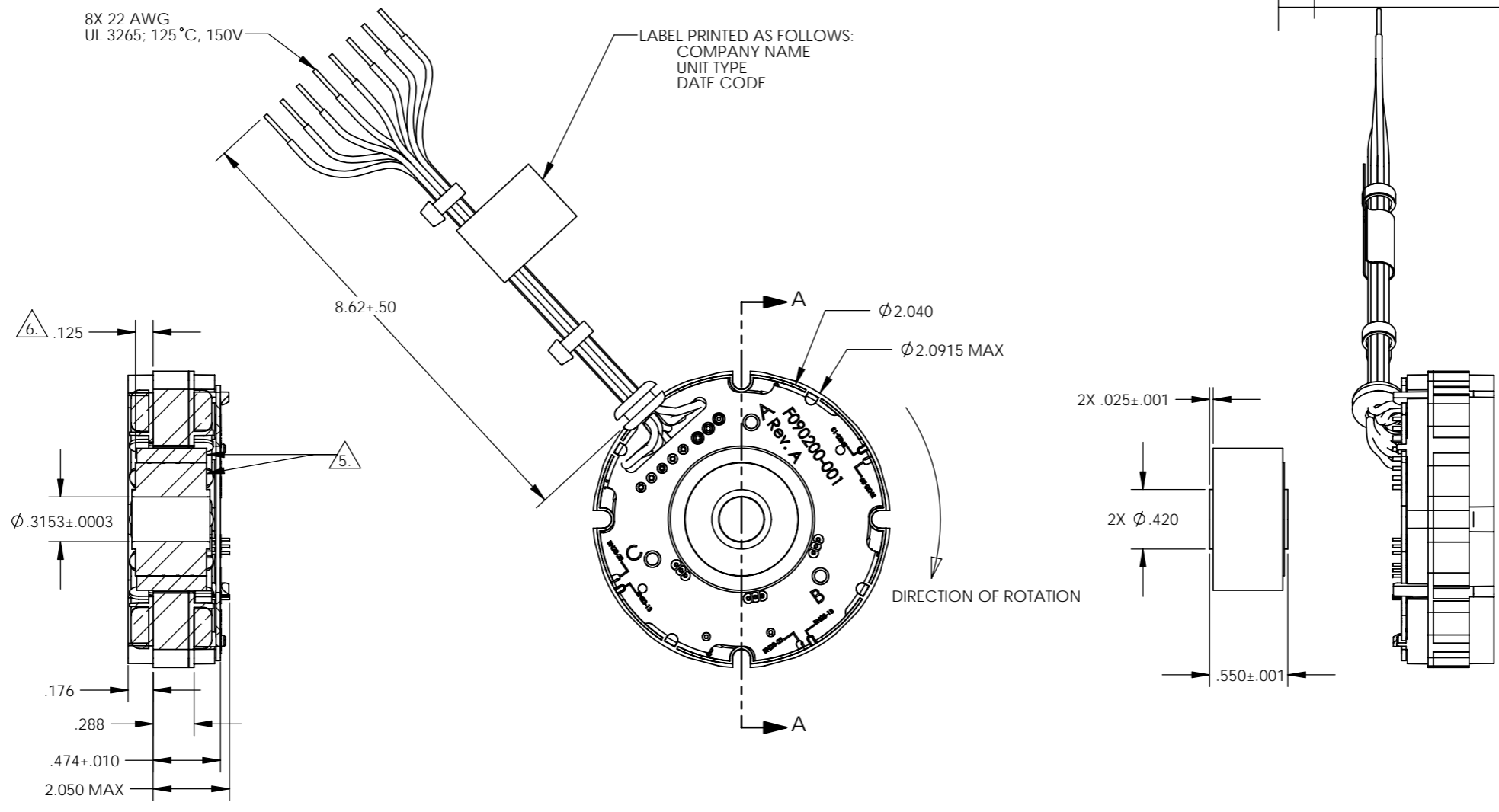


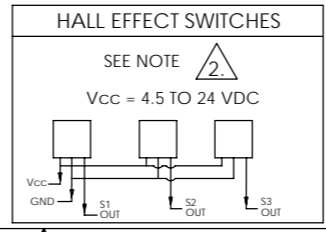
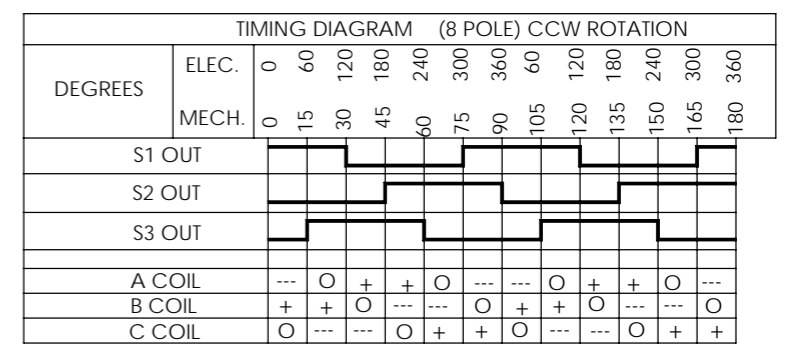
REVISIONS				
ZONE	REV.	DESCRIPTION	DATE	APPROVED
	A	NEW DRAWING/NTD 10173		



- NOTES UNLESS OTHERWISE SPECIFIED:
1. INTERPRET DRAWING PER ASME Y14.100.
 2. OPEN COLLECTOR OUTPUTS, USE PULL UP RESISTORS BETWEEN V_{CC} AND OUTPUTS.
 3. TESTED AS A MOTOR ASSEMBLY MOUNTED TO 6" X 6" X 1/4" ALUMINUM PLATE, STILL AIR.
 4. MAXIMUM WINDING TEMPERATURE OF 155 °C.
 5. MAGNET RING AND ROTOR CORE: FLUSH ±.002 ON THIS SIDE.
 6. RECOMENDED ROTOR CORE TO STACK MOUNTING DIMENSION.

PERFORMANCE AT 25°C				
PARAMETER	SYMBOL	UNITS	TOLERANCE	VALUE
TERMINAL VOLTAGE	V	VOLTS DC	NOMINAL	36
PEAK TORQUE	T _p	OZ-IN	MAXIMUM	35
CONTINUOUS STALL TORQUE	T _c ¹	OZ-IN	MAXIMUM	17.7
NO LOAD SPEED	S _{NL}	RPM	NOMINAL	12500
RATED SPEED	S _R	RPM		9060
RATED TORQUE		OZ-IN	MAXIMUM	16.1
RATED CURRENT		AMPS		4.30
RATED POWER		WATTS		108
TORQUE SENSITIVITY	K _T	OZ-IN/AMP	±10%	3.78
BEMF CONSTANT	K _E	VOLTS/KRPM	±10%	2.80
TERMINAL RESISTANCE	R _M	OHMS	±12%	0.939
TERMINAL INDUCTANCE	L _M	mH	±30%	0.758
MOTOR CONSTANT	K _M	OZ-IN/? WATTS	NOMINAL	3.90
SPEED TORQUE GRADIENT		RPM/OZ-IN		214
MECHANICAL TIME CONSTANT		msec		4.70
ELECTRICAL TIME CONSTANT		msec		0.81
THERMAL RESISTIVITY		°C/WATT		2.34

TERMINATION TABLE	
COLOR	CONNECTION
VIOLET	A COIL
BLACK	B COIL
GREEN	C COIL
YELLOW	V _{CC}
GREY	GROUND
BROWN	S1 OUT
BLUE	S2 OUT
WHITE	S3 OUT



UNLESS OTHERWISE SPECIFIED DIMENSIONS ARE IN INCHES

TOLERANCES ARE:

DECIMALS .XX ±.010 ANGLES ±0°30'

XXX ±.005 FRACTIONS .XXX ±1/64

XXXX ±.0005

CAD GENERATED DRAWING, DO NOT MANUALLY UPDATE

APPROVALS		DATE
DRAWN	R. PACE	1/31/06
CHECKED	R. MARTIN	2/10/06
ENGR	D. THOMPSON	2/10/06
RELEASED	R. MARTIN	2/14/06
MFG ENGR	L. FORRISTER	2/13/06
SHOP ENGR		
QA	B. LITTLE	2/10/06

MOOG
COMPONENTS GROUP

TITLE: BRUSHLESS D.C. MOTOR
OUTLINE

SIZE: C CAGE CODE: 4H618 DWG. NO.: BN23-13ZMG-02LH

SCALE: 1.5:1 CAD FILE: BN23-13ZMG-02LH SHEET 1 OF 1