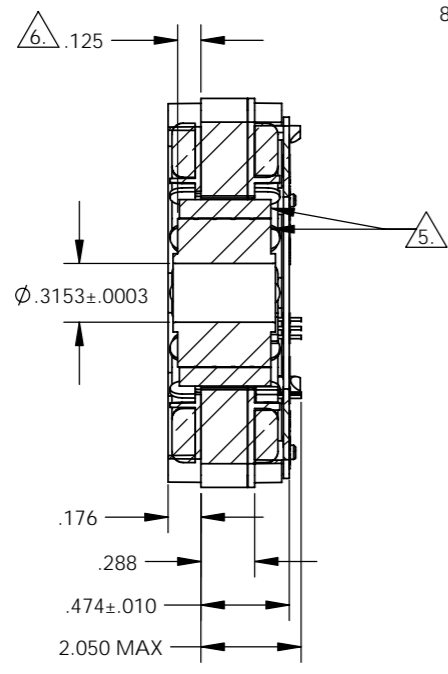
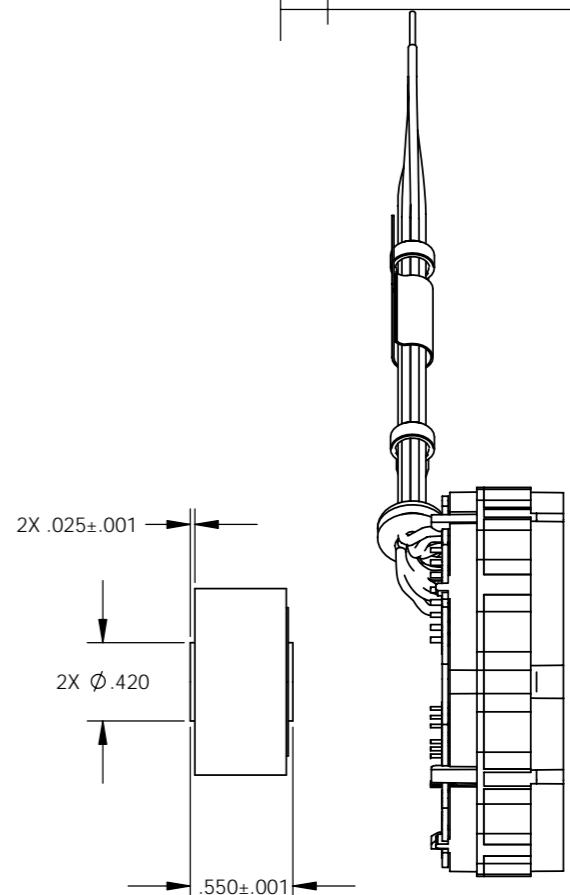
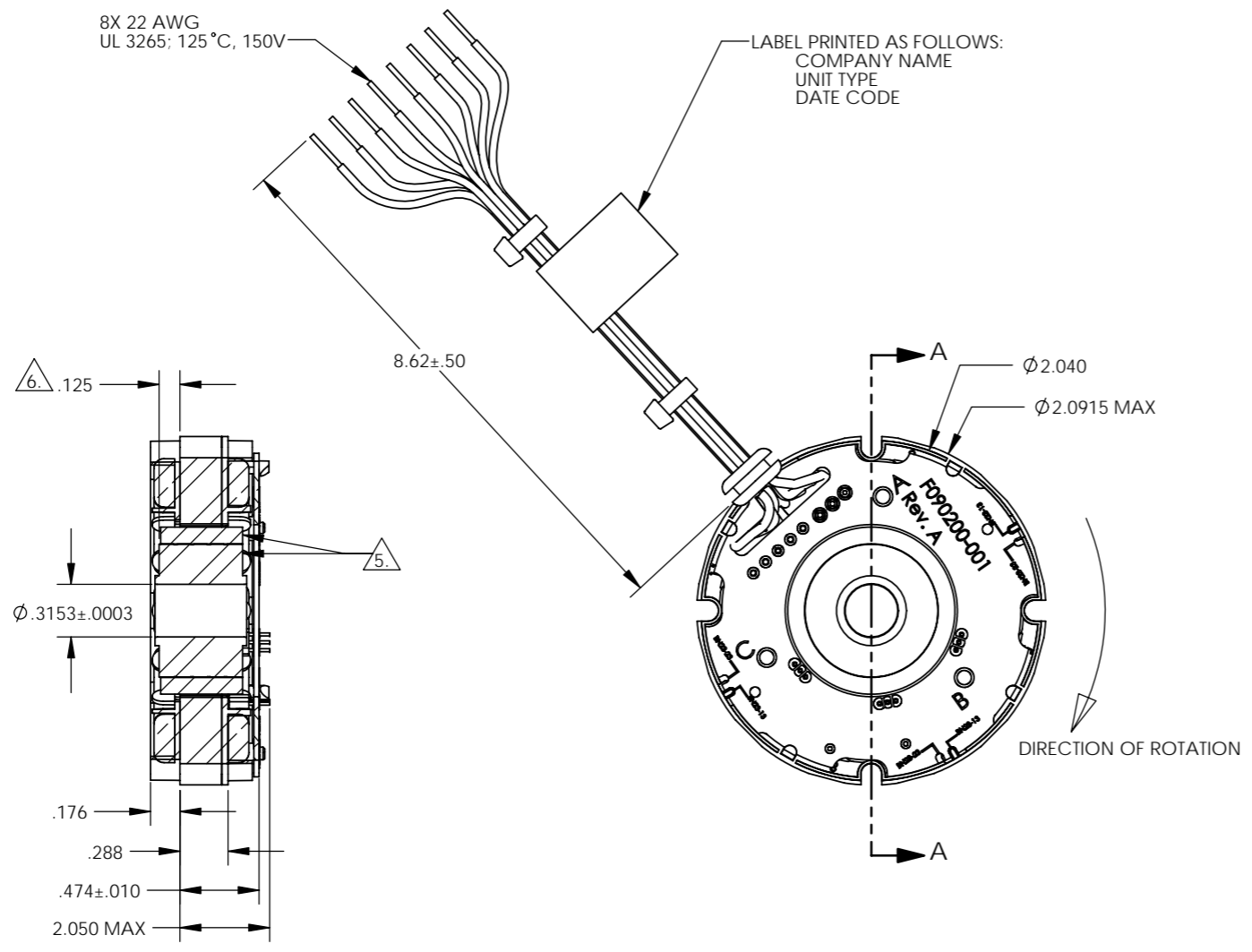
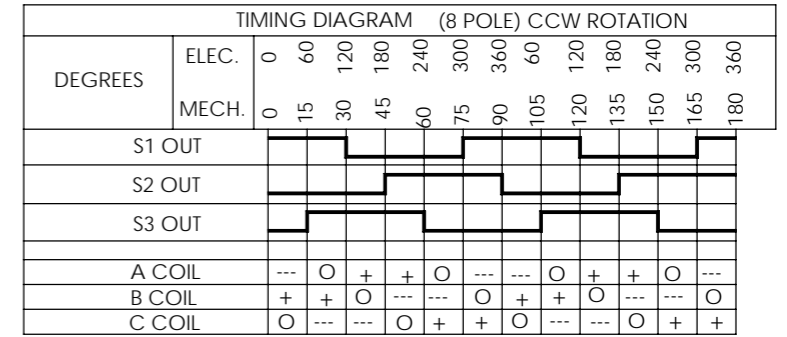


REVISIONS				
ZONE	REV.	DESCRIPTION	DATE	APPROVED
	A	NEW DRAWING/NTD 10174		

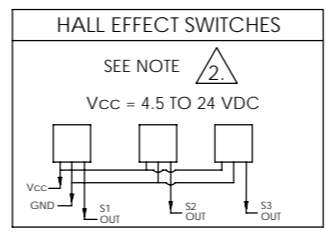


TERMINATION TABLE	
COLOR	CONNECTION
VIOLET	A COIL
BLACK	B COIL
GREEN	C COIL
YELLOW	V _{CC}
GREY	GROUND
BROWN	S1 OUT
BLUE	S2 OUT
WHITE	S3 OUT



- NOTES UNLESS OTHERWISE SPECIFIED:
1. INTERPRET DRAWING PER ASME Y14.100.
 2. OPEN COLLECTOR OUTPUTS, USE PULL UP RESISTORS BETWEEN V_{CC} AND OUTPUTS.
 3. TESTED AS A MOTOR ASSEMBLY MOUNTED TO 6" X 6" X 1/4" ALUMINUM PLATE, STILL AIR.
 4. MAXIMUM WINDING TEMPERATURE OF 155°C.
 5. MAGNET RING AND ROTOR CORE: FLUSH ±.002 ON THIS SIDE.
 6. RECOMENDED ROTOR CORE TO STACK MOUNTING DIMENSION.

PERFORMANCE AT 25°C				
PARAMETER	SYMBOL	UNITS	TOLERANCE	VALUE
TERMINAL VOLTAGE	V	VOLTS DC	NOMINAL	48
PEAK TORQUE	T _P	OZ-IN	MAXIMUM	35
CONTINUOUS STALL TORQUE	T _C ¹	OZ-IN	MAXIMUM	14.2
NO LOAD SPEED	S _{NL}	RPM	NOMINAL	12300
RATED SPEED	S _R	RPM		9190
RATED TORQUE		OZ-IN	MAXIMUM	12.1
RATED CURRENT		AMPS		2.38
RATED POWER		WATTS		82
TORQUE SENSITIVITY	K _T	OZ-IN/AMP	±10%	5.18
BEMF CONSTANT	K _E	VOLTS/KRPM	±10%	3.83
TERMINAL RESISTANCE	R _M	OHMS	±12%	1.890
TERMINAL INDUCTANCE	L _M	mH	±30%	1.530
MOTOR CONSTANT	K _M	OZ-IN/√ WATTS	NOMINAL	3.77
SPEED TORQUE GRADIENT		RPM/OZ-IN		257
MECHANICAL TIME CONSTANT		msec		5.10
ELECTRICAL TIME CONSTANT		msec		0.81
THERMAL RESISTIVITY		°C/WATT		3.44



UNLESS OTHERWISE SPECIFIED DIMENSIONS ARE IN INCHES TOLERANCES ARE: DECIMALS .XX ±.010 .XXX ±.005 .XXXX ±.0005 ANGLES ±0°30' FRACTIONS ±1/64	CAD GENERATED DRAWING, DO NOT MANUALLY UPDATE				
	APPROVALS				DATE
	DRAWN R. PACE		1/31/06	BRUSHLESS D.C. MOTOR OUTLINE	
	CHECKED R. MARTIN		2/10/06		
ENGR D. THOMPSON		2/10/06			
RELEASED R. MARTIN		2/14/06			
MFG ENGR L. FORRISTER		2/13/06	SIZE C	CAGE CODE 4H618	DWG. NO. BN23-13ZMG-03LH
SHOP ENGR			SCALE 1.5:1	CAD FILE BN23-13ZMG-03LH	SHEET 1 OF 1
QA B. LITTLE		2/10/06			