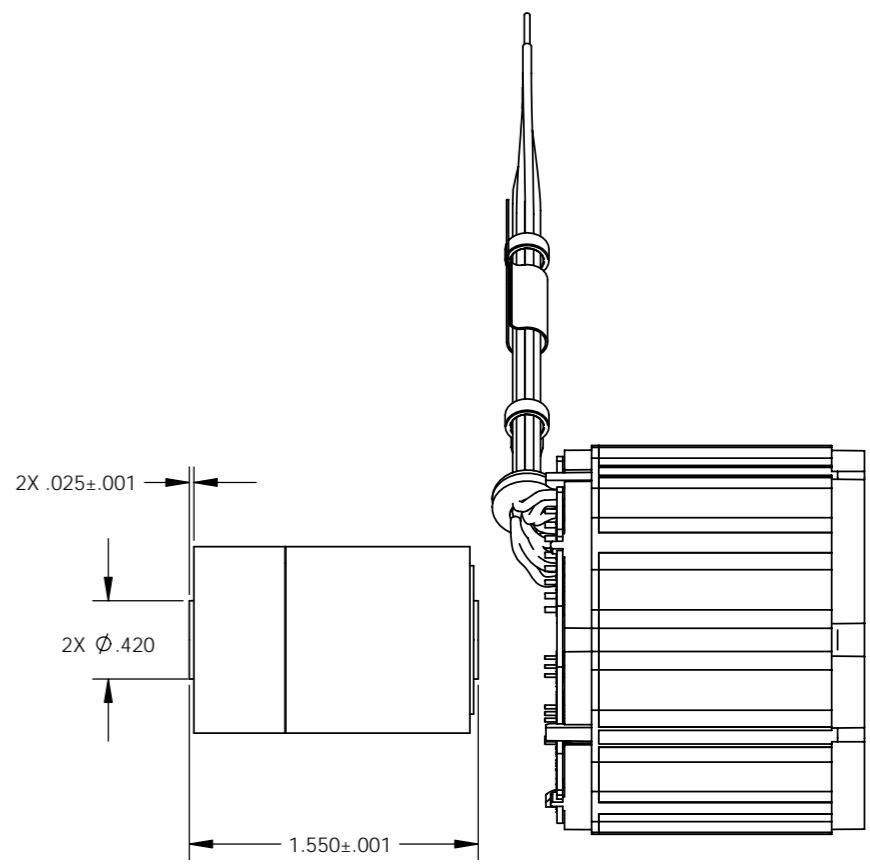
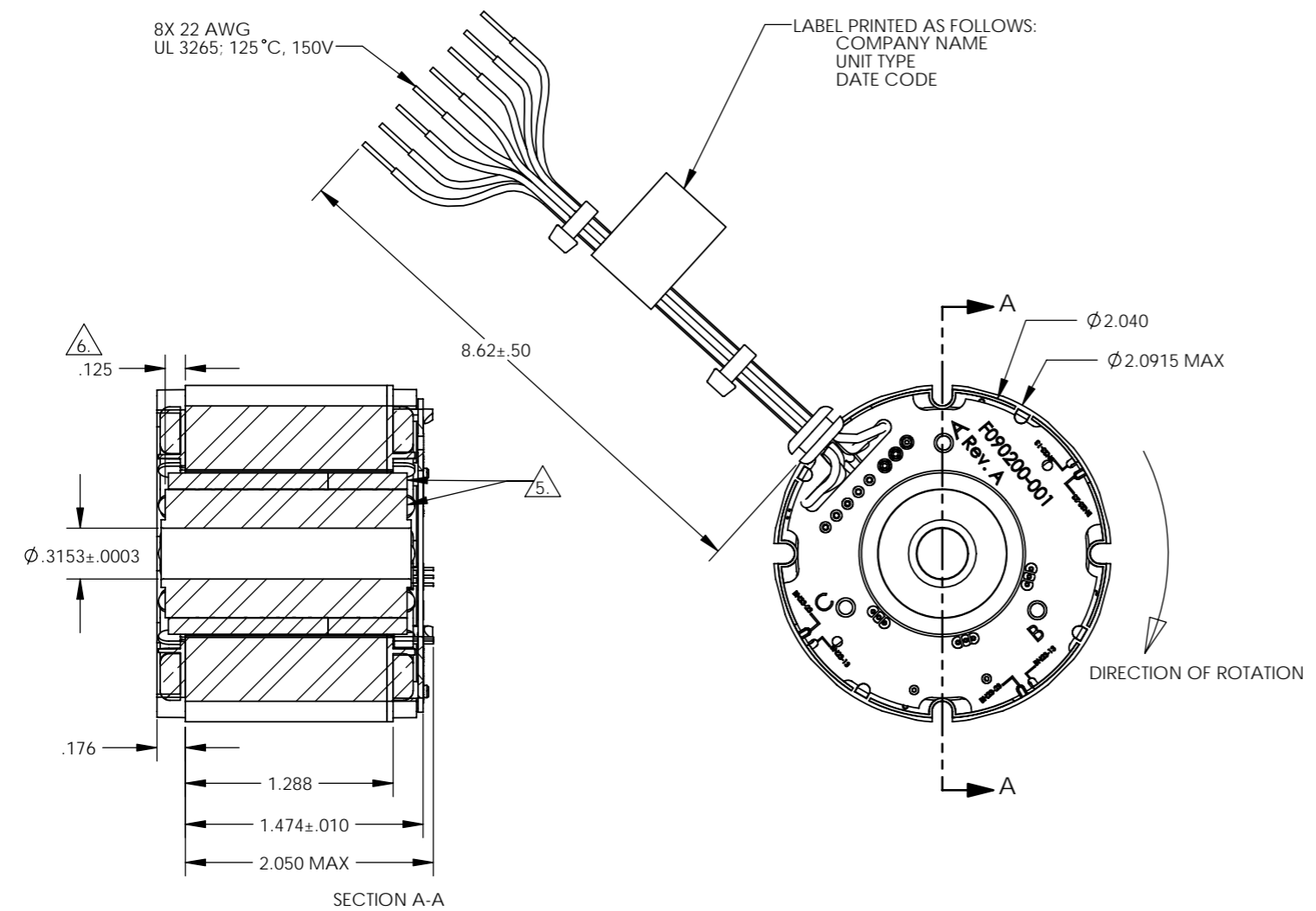


REVISIONS				
ZONE	REV.	DESCRIPTION	DATE	APPROVED
	A	NEW DRAWING/NTD 10180		

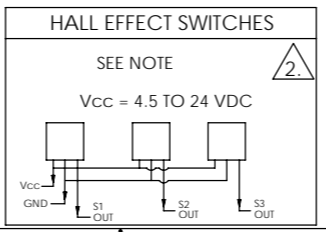
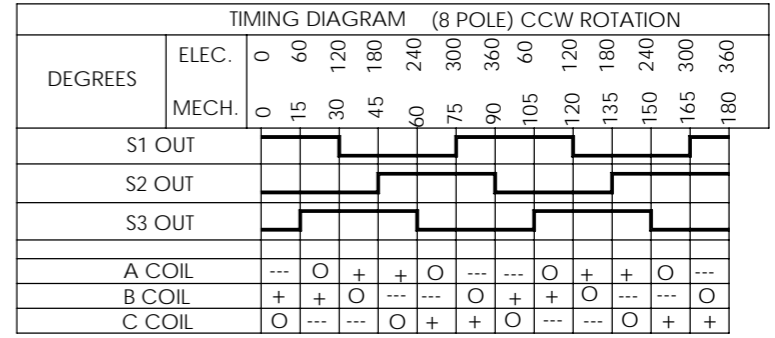


NOTES UNLESS OTHERWISE SPECIFIED:

1. INTERPRET DRAWING PER ASME Y14.100.
2. OPEN COLLECTOR OUTPUTS, USE PULL UP RESISTORS BETWEEN V<sub>CC</sub> AND OUTPUTS.
3. TESTED AS A MOTOR ASSEMBLY MOUNTED TO 6" X 6" X 1/4" ALUMINUM PLATE, STILL AIR.
4. MAXIMUM WINDING TEMPERATURE OF 155°C.
5. MAGNET RING AND ROTOR CORE: FLUSH ±.002 ON THIS SIDE.
6. RECOMENDED ROTOR CORE TO STACK MOUNTING DIMENSION.

PERFORMANCE AT 25°C				
PARAMETER	SYMBOL	UNITS	TOLERANCE	VALUE
TERMINAL VOLTAGE	V	VOLTS DC	NOMINAL	48
PEAK TORQUE	T <sub>P</sub>	OZ-IN	MAXIMUM	143
CONTINUOUS STALL TORQUE	T <sub>C</sub> <sup>1</sup>	OZ-IN	MAXIMUM	42.9
NO LOAD SPEED	S <sub>NL</sub>	RPM	NOMINAL	8200
RATED SPEED	S <sub>R</sub>	RPM		6250
RATED TORQUE		OZ-IN	MAXIMUM	41.8
RATED CURRENT		AMPS		5.00
RATED POWER		WATTS		193
TORQUE SENSITIVITY	K <sub>T</sub>	OZ-IN/AMP	±10%	7.79
BEMF CONSTANT	K <sub>E</sub>	VOLTS/KRPM	±10%	5.76
TERMINAL RESISTANCE	R <sub>M</sub>	OHMS	±12%	0.715
TERMINAL INDUCTANCE	L <sub>M</sub>	mH	±30%	0.900
MOTOR CONSTANT	K <sub>M</sub>	OZ-IN/? WATTS	NOMINAL	9.21
SPEED TORQUE GRADIENT		RPM/OZ-IN		46.70
MECHANICAL TIME CONSTANT		msec		2.50
ELECTRICAL TIME CONSTANT		msec		1.26
THERMAL RESISTIVITY		°C/WATT		2.35

TERMINATION TABLE	
COLOR	CONNECTION
VIOLET	A COIL
BLACK	B COIL
GREEN	C COIL
YELLOW	V <sub>CC</sub>
GREY	GROUND
BROWN	S1 OUT
BLUE	S2 OUT
WHITE	S3 OUT



UNLESS OTHERWISE SPECIFIED DIMENSIONS ARE IN INCHES		CAD GENERATED DRAWING, DO NOT MANUALLY UPDATE	
TOLERANCES ARE:		APPROVALS	
DECIMALS	ANGLES	DRAWN	DATE
.XXX ±.010	±0°30'	R. PACE	1/31/06
.XXX ±.005	FRACTIONS	CHECKED	2/10/06
.XXXX ±.0005	±1/64	ENGR	D. THOMPSON
		RELEASED	R. MARTIN
		MFG ENGR	L. FORRISTER
		SHOP ENGR	
		QA	B. LITTLE
			2/10/06

**MOOG COMPONENTS GROUP**

TITLE: BRUSHLESS D.C. MOTOR OUTLINE

SIZE: C CAGE CODE: 4H618 DWG. NO.: BN23-23ZMG-03LH

SCALE: 1.5:1 CAD FILE: BN23-23ZMG-03LH SHEET 1 OF 1