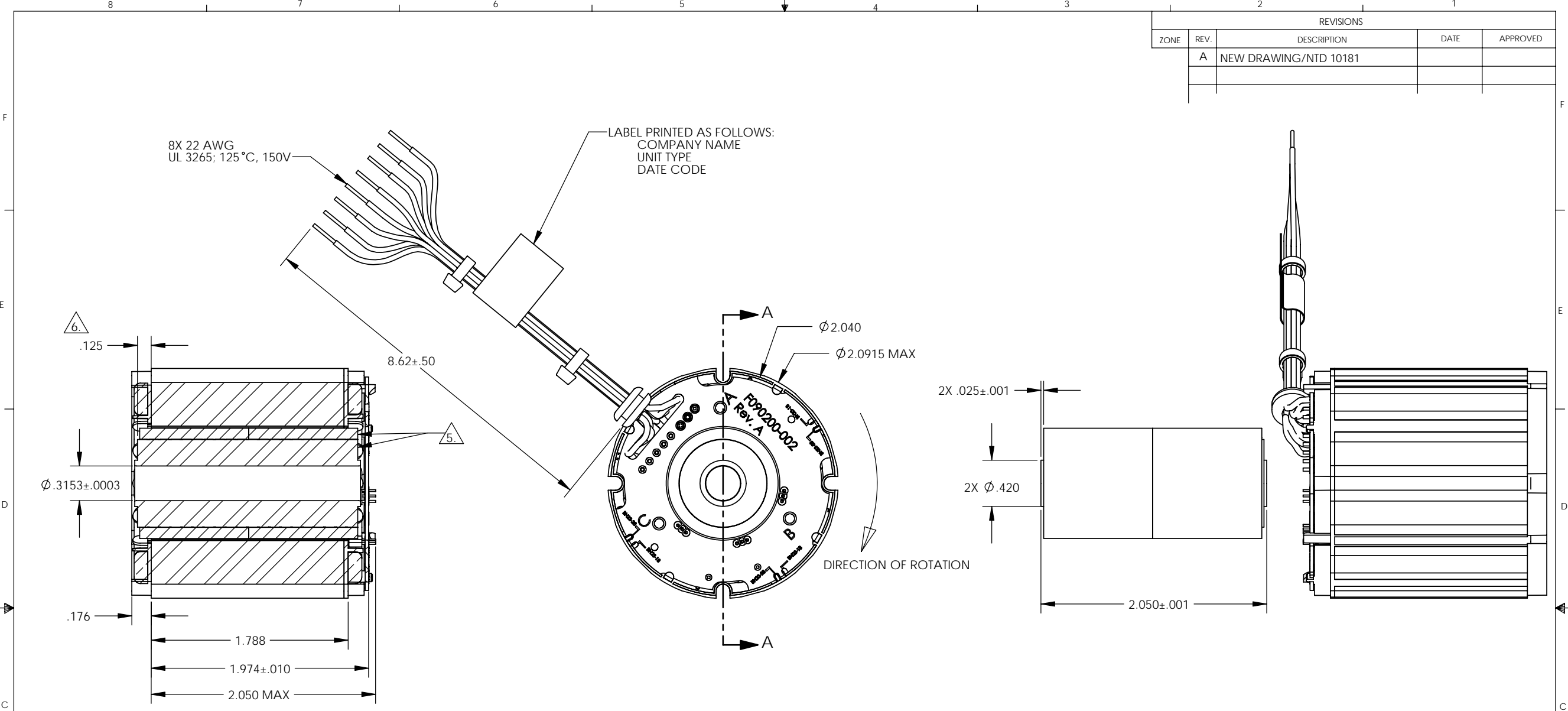


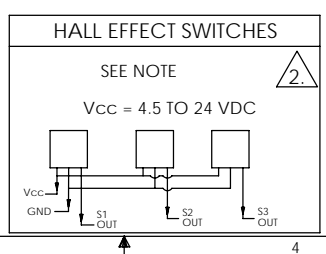
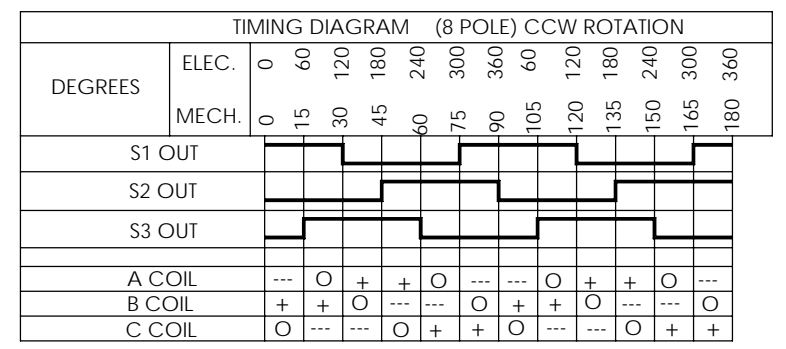
REVISIONS				
ZONE	REV.	DESCRIPTION	DATE	APPROVED
	A	NEW DRAWING/NTD 10181		



- NOTES UNLESS OTHERWISE SPECIFIED:
1. INTERPRET DRAWING PER ASME Y14.100.
 2. OPEN COLLECTOR OUTPUTS, USE PULL UP RESISTORS BETWEEN V_{CC} AND OUTPUTS.
 3. TESTED AS A MOTOR ASSEMBLY MOUNTED TO 6" X 6" X 1/4" ALUMINUM PLATE, STILL AIR.
 4. MAXIMUM WINDING TEMPERATURE OF 155°C.
 5. MAGNET RING AND ROTOR CORE: FLUSH ±.002 ON THIS SIDE.
 6. RECOMENDED ROTOR CORE TO STACK MOUNTING DIMENSION.

PERFORMANCE AT 25°C				
PARAMETER	SYMBOL	UNITS	TOLERANCE	VALUE
TERMINAL VOLTAGE	V	VOLTS DC	NOMINAL	24
PEAK TORQUE	T _P	OZ-IN	MAXIMUM	186
CONTINUOUS STALL TORQUE	T _C ¹	OZ-IN	MAXIMUM	50.4
NO LOAD SPEED	S _{NL}	RPM	NOMINAL	7300
RATED SPEED	S _R	RPM		5340
RATED TORQUE		OZ-IN	MAXIMUM	49.1
RATED CURRENT		AMPS		10.45
RATED POWER		WATTS		194
TORQUE SENSITIVITY	K _T	OZ-IN/AMP	±10%	4.26
BEMF CONSTANT	K _E	VOLTS/KRPM	±10%	3.15
TERMINAL RESISTANCE	R _M	OHMS	±12%	0.181
TERMINAL INDUCTANCE	L _M	mH	±30%	0.230
MOTOR CONSTANT	K _M	OZ-IN/? WATTS	NOMINAL	10.01
SPEED TORQUE GRADIENT		RPM/OZ-IN		39.90
MECHANICAL TIME CONSTANT		msec		2.70
ELECTRICAL TIME CONSTANT		msec		1.27
THERMAL RESISTIVITY		°C/WATT		1.93

TERMINATION TABLE	
COLOR	CONNECTION
VIOLET	A COIL
BLACK	B COIL
GREEN	C COIL
YELLOW	V _{CC}
GREY	GROUND
BROWN	S1 OUT
BLUE	S2 OUT
WHITE	S3 OUT



UNLESS OTHERWISE SPECIFIED DIMENSIONS ARE IN INCHES TOLERANCES ARE:		CAD GENERATED DRAWING, DO NOT MANUALLY UPDATE			
DECIMALS	ANGLES	APPROVALS			
XX ±.010	±0°30'	DRAWN R. PACE		1/31/06	TITLE BRUSHLESS D.C. MOTOR OUTLINE
XXX ±.005	FRACTIONS ±1/64	CHECKED R. MARTIN		2/10/06	
XXXX ±.0005		ENGR D. THOMPSON		2/10/06	
DO NOT SCALE DRAWING		RELEASED R. MARTIN		2/14/06	
MATERIAL		MFG ENGR L. FORRISTER		2/13/06	
FINISH		SHOP ENGR			
QA B. LITTLE		DATE 2/10/06			SIZE C CAGE CODE 4H618 DWG. NO. BN23-28ZMG-01LH SCALE 1.5:1 CAB. FILE BN23-28ZMG-01LH SHEET 1 OF 1